

- [54] **TOY ROBOT**
- [75] **Inventor:** Hiu Wong, Hong Kong, Hong Kong
- [73] **Assignee:** Blue Box Toy Factory Limited, Hong Kong, Hong Kong
- [**] **Term:** 14 Years
- [21] **Appl. No.:** 103,809
- [22] **Filed:** Dec. 14, 1979
- [30] **Foreign Application Priority Data**
Jul. 3, 1979 [GB] United Kingdom 990563/79
- [51] **Int. Cl.** **D21-01**
- [52] **U.S. Cl.** **D21/150**
- [58] **Field of Search** **D21/150, 166; 46/104, 46/105, 107**

- [56] **References Cited**
PUBLICATIONS
Montgomery Ward Xmas Cat., 1973, p. 297, lower right, Robot.
F.A.O. Schwarz, Fall-Winter, 1975-1976, p. 37, upper right, Item D, Robot.
Lewis Galoob Co., 1967 Toy Cat., p. 3, Items No. 5424, A Hacking Martian, and No. 6005, Astronaut.

Primary Examiner—Melvin B. Feifer
Attorney, Agent, or Firm—Pollock, Vande Sande & Priddy

- [57] **CLAIM**
The ornamental design for a toy robot, as shown.

DESCRIPTION

FIG. 1 is a front perspective view from above and one side of a toy robot showing my new design;
FIG. 2 is a view of other side; and
FIG. 3 is a rear view.

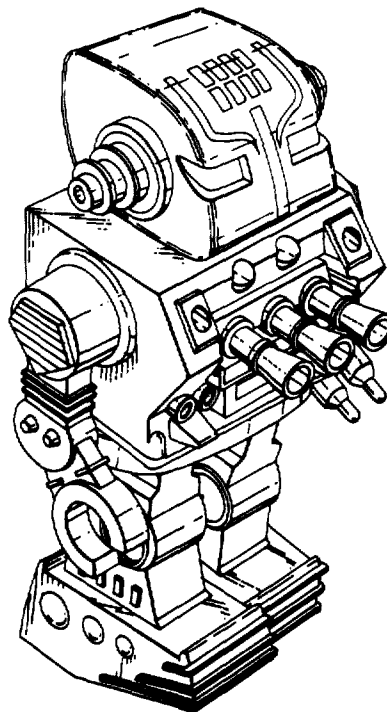


FIG. 1.

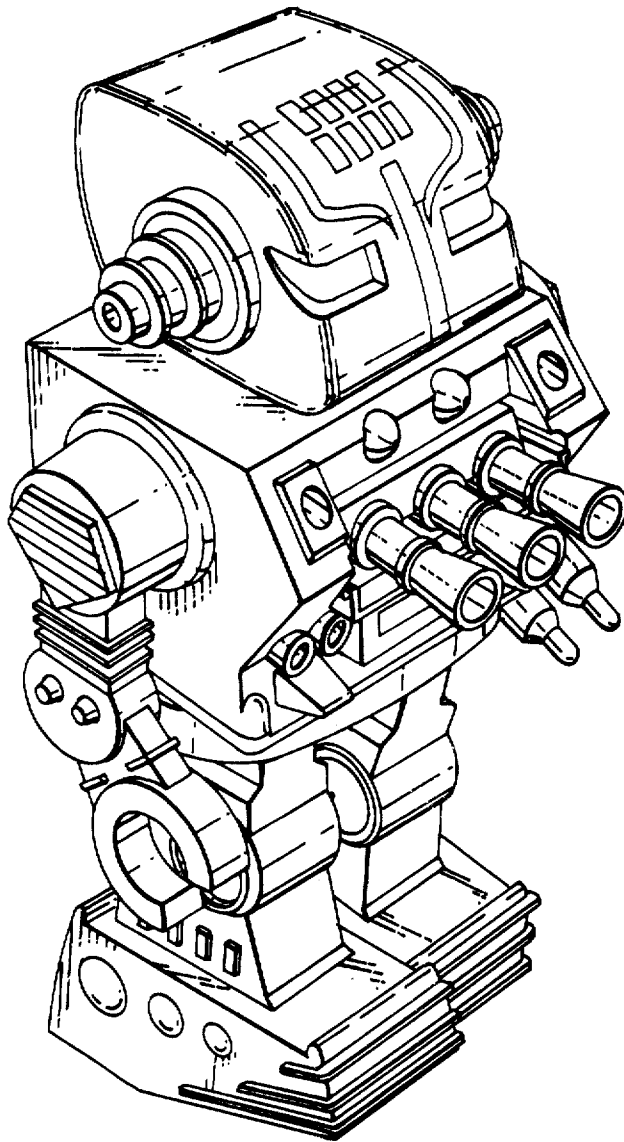


FIG 2

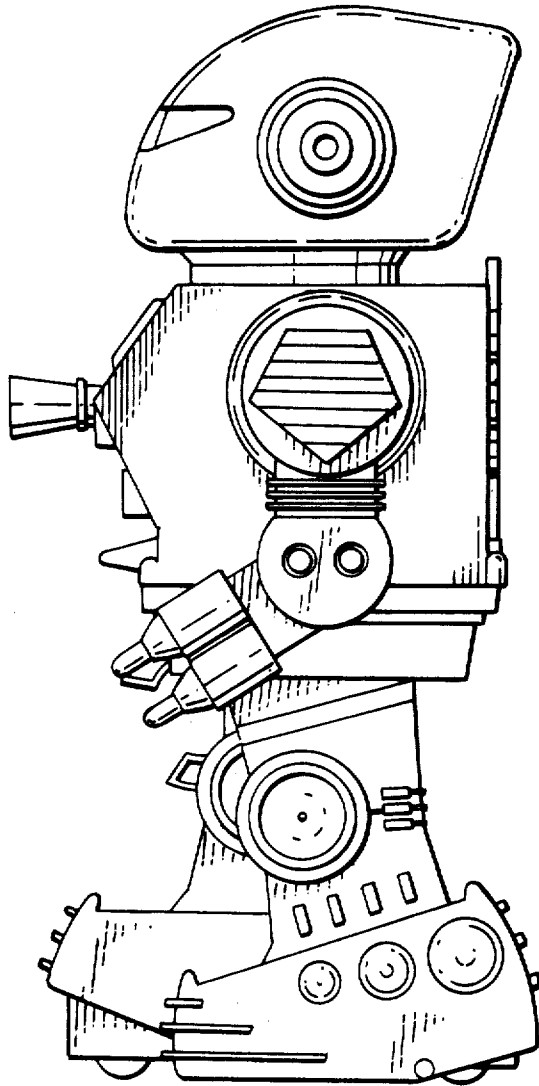


FIG. 3.

