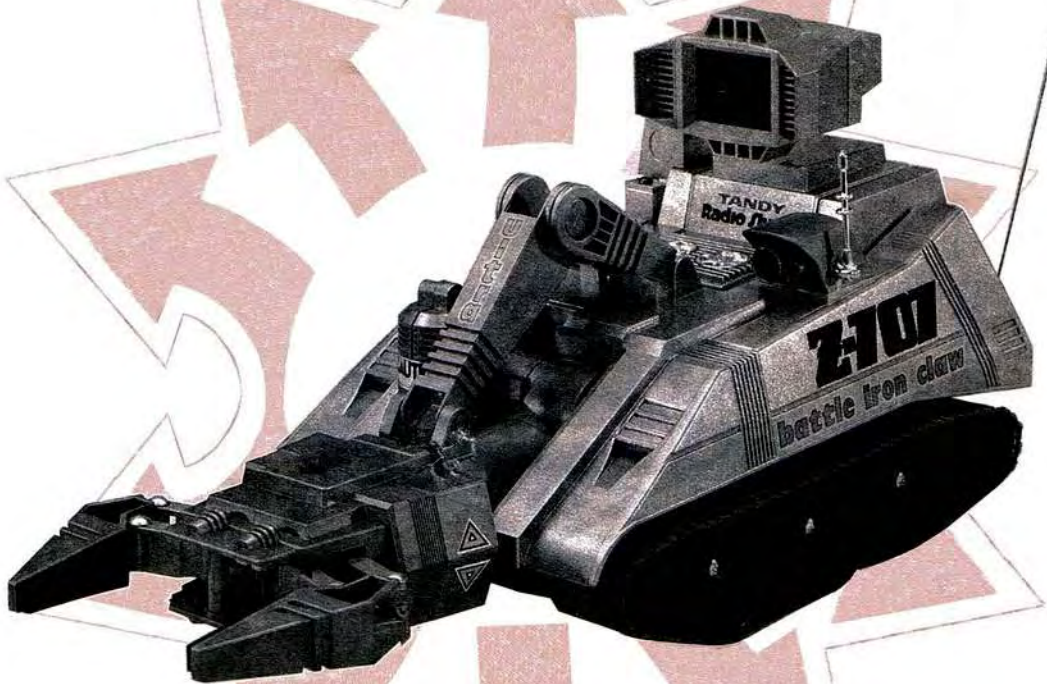


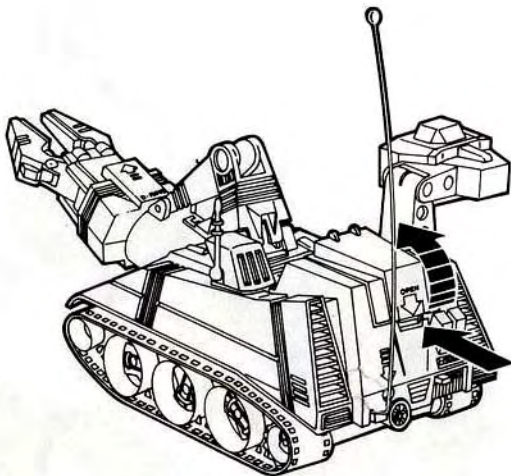
**Radio Shack®**

**RADIO-CONTROLLED  
Z-707 battle  
iron claw**



# BATTERY INSTALLATION

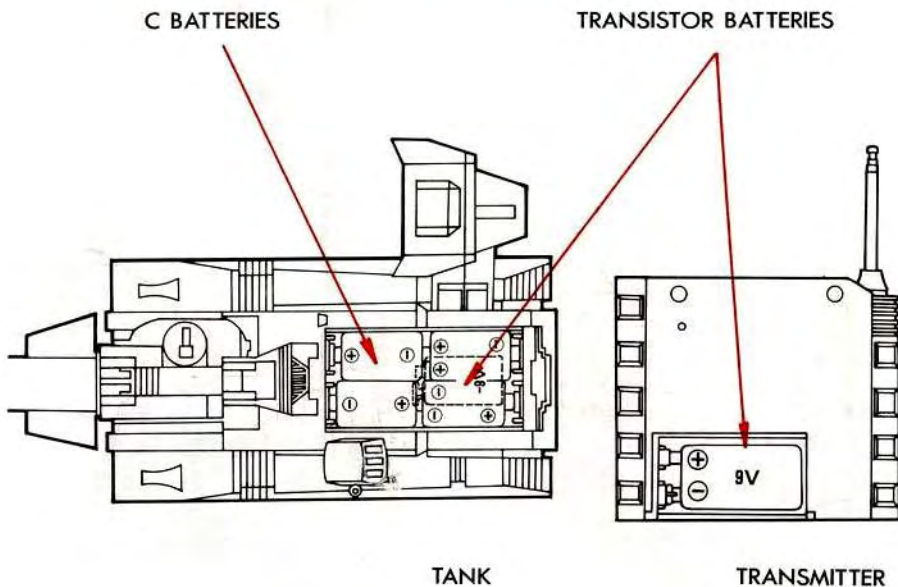
1. Set the ON/OFF switch to OFF.
2. Turn the search-light as illustrated.
3. Press the part under the arrow, and the battery case cover will lift free from the body.



# BATTERY INSTALLATION

4. Place one 9-Volt transistor battery and four C batteries in the battery compartment.
5. Open the battery compartment on the transmitter.
6. Place one 9-Volt transistor battery in the transmitter.
7. Close the battery compartments.

**Make sure to place batteries as marked (+) (-).**

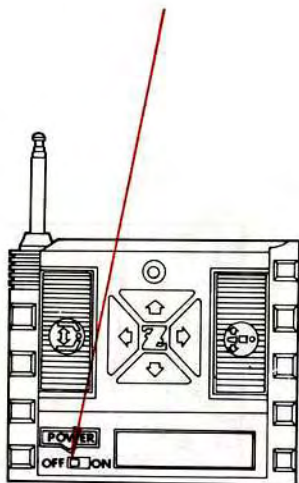


(See indicators inside battery compartment for correct battery layout.)

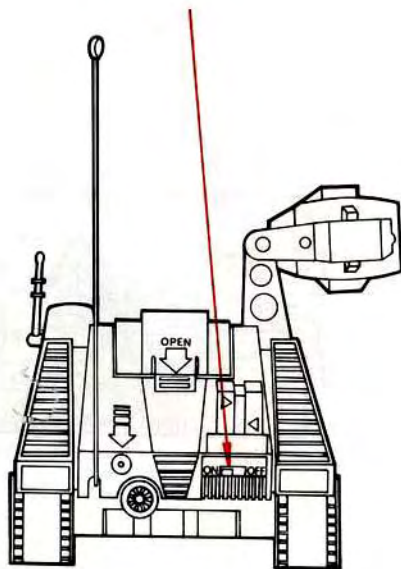
# OPERATION

1. Turn ON/OFF switch on the transmitter to ON position first, and extend the transmitter antenna to the full length.
2. Turn ON/OFF switch on the tank to ON, the tank will remain still and the search-light will flash.

ON/OFF SWITCH



ON/OFF SWITCH



# OPERATION

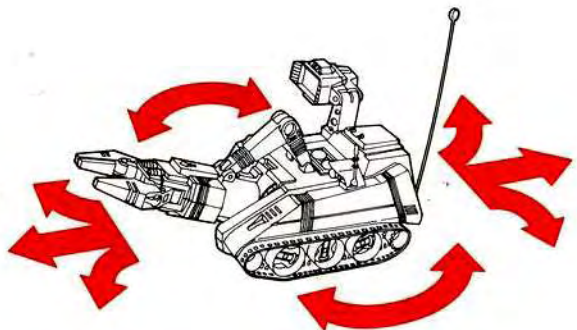
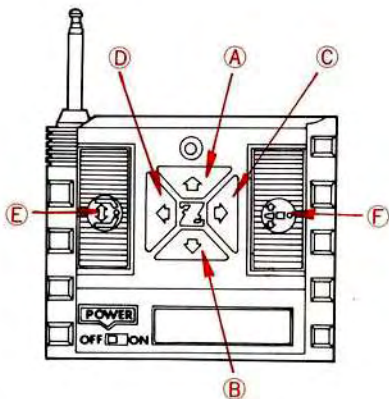
3. Press the buttons on the transmitter for the functions listed below.

- (A) Goes forward.
- (B) Goes in reverse.
- (C) Rotates to right.
- (D) Rotates to left.
- (E) Hand opens and closes.
- (F) Arm lifts and lowers.

Press (A) to run the tank forward. Press (B) to run the tank backward. Release the buttons to stop the tank.

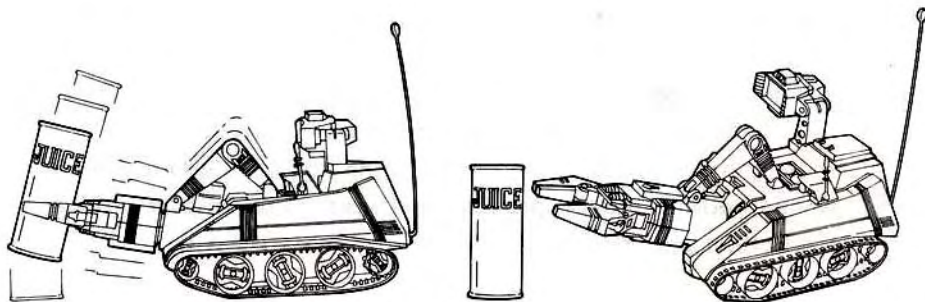
Press (C); the tank rotates clockwise. Press (D); the tank rotates counterclockwise. Press (E) to operate hand -- it starts to close after fully opened. Once fully closed, it starts to open.

Press (F) to raise/lower the arm. Like the hand, it starts to lower when it reaches the top position, and starts to lift when it reaches the bottom position.



Enjoy the robot actions: gripping, lifting and carrying your own objects by operating the claw skillfully.

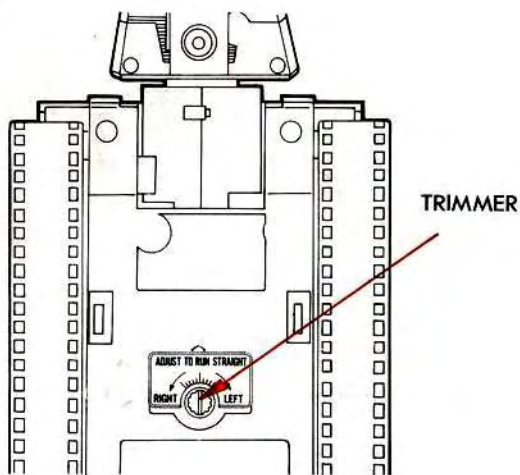
You can manually rotate the wrist portion of the claw.



# ADJUSTING THE TRIMMER

If the tank does not run straight, even when you do not operate steering control switches C or D, adjust the trimmer. When the car runs to one side, turn the knob of trimmer to the opposite side.

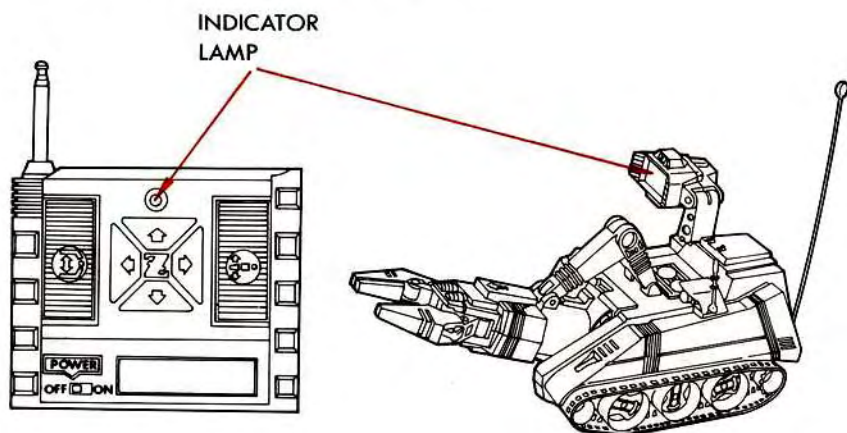
**Make adjustment gradually**, until the tank runs straight when the steering buttons are not pressed.



# CAUTION

While the ON/OFF switches are ON, the search-light on the tank will flash and the indicator lamp (LED) on the transmitter will light.

When the tank is not in use, be sure to turn both ON/OFF switches OFF to extend the life of the batteries.



For maximum transmitter range, be sure to extend the transmitter antenna fully and hold it straight up. Do not touch the antenna.

When the tank will not be used for long time, remove all batteries and store them separately in a dry place, to protect the mechanism of the radio controlled unit from battery leakage.

Never leave weak or dead batteries in the tank or transmitter.

Even "leak-proof" type can leak and damage your unit.



# NOTES

1. For the best results, we recommend our alkaline batteries (Cat. No.23-551 for C cells 23-553 for 9V) or rechargeable nickel cadmium batteries (Cat. No.23-124 for C cells 23-126 for 9V). Weak batteries cause unsatisfactory performance of the radio controlled unit. Be sure to use good batteries at all times.
2. The car is designed to operate from distances up to 20 meters (60 feet) outdoors and 10 meters (30 feet) indoors.
3. The car operates on Citizens' Band frequencies. Performance may be affected by operation of other C.B. equipment (walkie talkies, other radio controlled toys...) nearby.  
In such cases, change places or times for operation.

## TIME FOR CHANGING BATTERIES

1. When the car begins to move slowly or to stop.  
: Replace all four C batteries. C batteries provide the power to run the car.
2. When the car makes quick repeated motions, bit by bit, in forward and reverse or becomes uncontrollable  
: Replace the transistor battery in the tank.
3. When the tank does not move and all the batteries in the tank are in good condition.  
: Replace the transistor battery in the transmitter.

# RECHARGEABLE BATTERIES

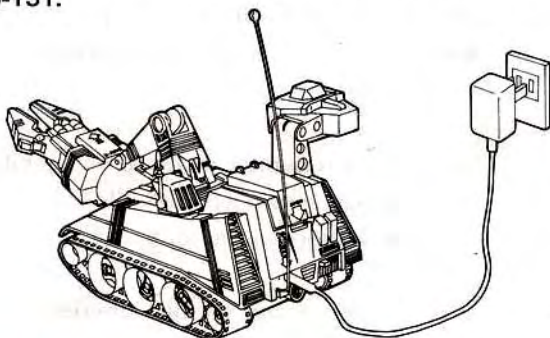
FOR USE WITH 4 C NICKEL-CADMIUM RECHARGEABLE BATTERIES ONLY.

Nickel-Cadmium batteries rechargeable up to 300 times. Use our 273-1652 adapter/charger.

Plug the adapter directly into any ordinary 120-volt household outlet. Then insert cord into the jack on the tank without removing batteries from tank.

## Instructions :

Make certain the switch of your tank is in the OFF position and the indicator light on the tank is off. Check your nickel-cadmium batteries for proper polarity as indicated in the battery compartment of your tank. Plug your charger into any ordinary 120 volt household outlet. Select a plug that fits the jack on the tank. The center plug should be positive. Plug the charging cord into the charger receptacle located on your tank. Nickel-cadmium batteries in the tank may be charged over night (approximately 14 hours). Over charging several hours will not harm your batteries, however, DO NOT charge in excess of one day. Charging fourteen hours will bring your batteries to full capacity. Additional charging WILL NOT improve the output of the batteries. Unplug charger from wall outlet and vehicle when not in use. The 9V battery cannot be charged inside the tank. If you are using nickel-cadmium 9V battery, charge it with an external charger, such as our 23-131.



## WARNING

**DO NOT ATTEMPT TO CHARGE OR RECHARGE** ordinary flash-light, heavy duty, alkaline, transistor, mercury or other primary cell batteries.

**This may cause leakage, fire or explosion.**



## RADIO SHACK LIMITED WARRANTY

This product is warranted against defects for 90 days from date of purchase from Radio Shack company-owned stores and authorized Radio Shack franchisees and dealers. Within this period, we will repair it without charge for parts and labor. Simply **bring your Radio Shack sales slip** as proof of purchase date to any Radio Shack store. Warranty does not cover transportation costs. Nor does it cover a product subjected to misuse or accidental damage.

EXCEPT AS PROVIDED HEREIN, RADIO SHACK MAKES NO WARRANTIES, EXPRESS OR IMPLIED, INCLUDING WARRANTIES OF MERCHANTABILITY AND FITNESS FOR A PARTICULAR PURPOSE.

Some states do not permit limitation or exclusion of implied warranties; therefore, the aforesaid limitation(s) or exclusion(s) may not apply to the purchaser.

This warranty gives you specific legal rights and you may also have other rights which vary from state to state.

*We Service What We Sell*

## RADIO SHACK, A DIVISION OF TANDY CORPORATION

U.S.A.: FORT WORTH, TEXAS 76102  
CANADA : BARRIE, ONTARIO L4M 4W5

---

### TANDY CORPORATION

AUSTRALIA

BELGIUM

U. K.

---

91 KURRAJONG AVENUE  
MOUNT DRUITT, N.S.W. 2770

PARC INDUSTRIEL DE NANINNE  
5140 NANINNE

BILSTON ROAD WEDNESBURY  
WEST MIDLANDS WS10 7JN