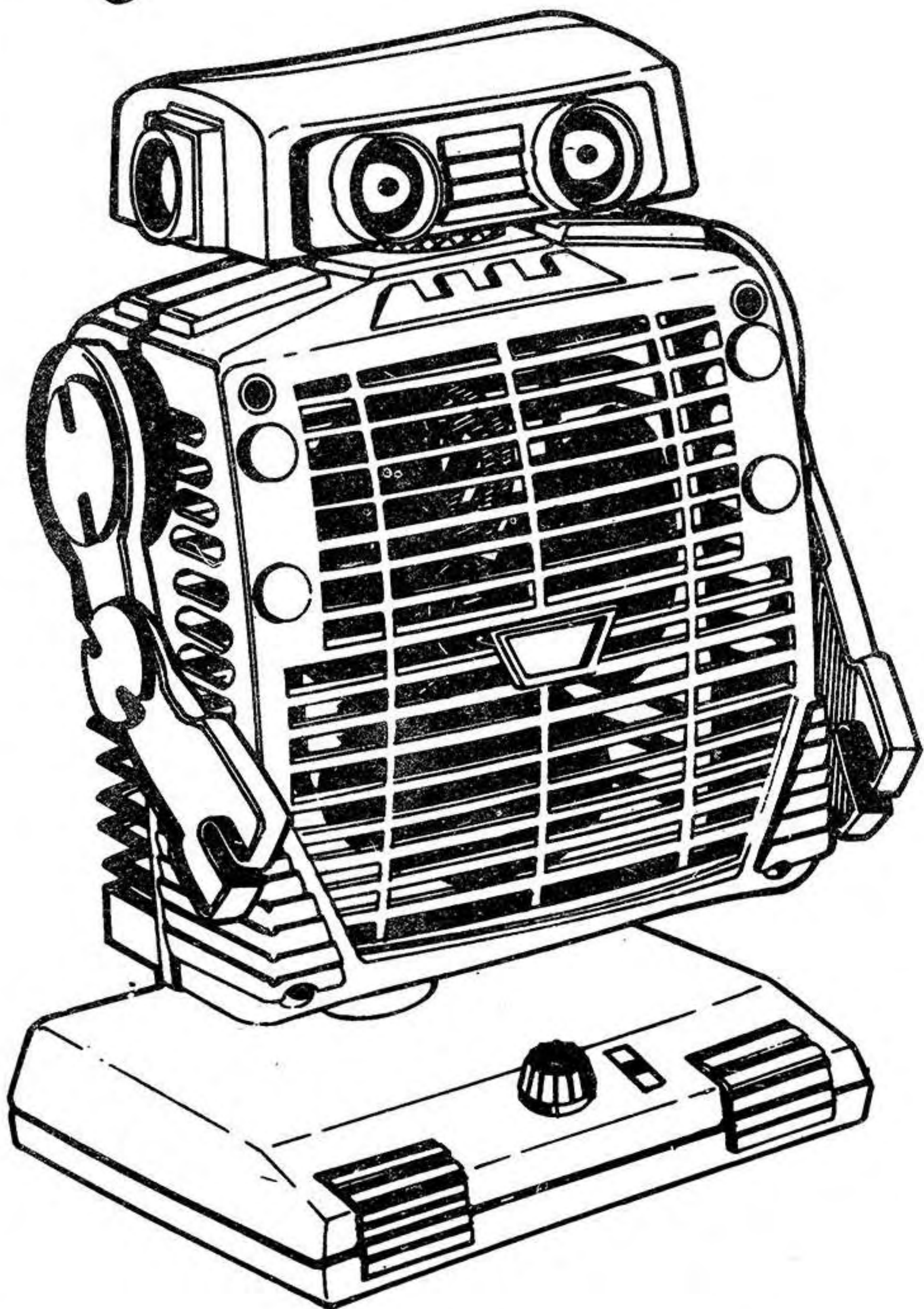


# **ROBO<sup>TM</sup>**

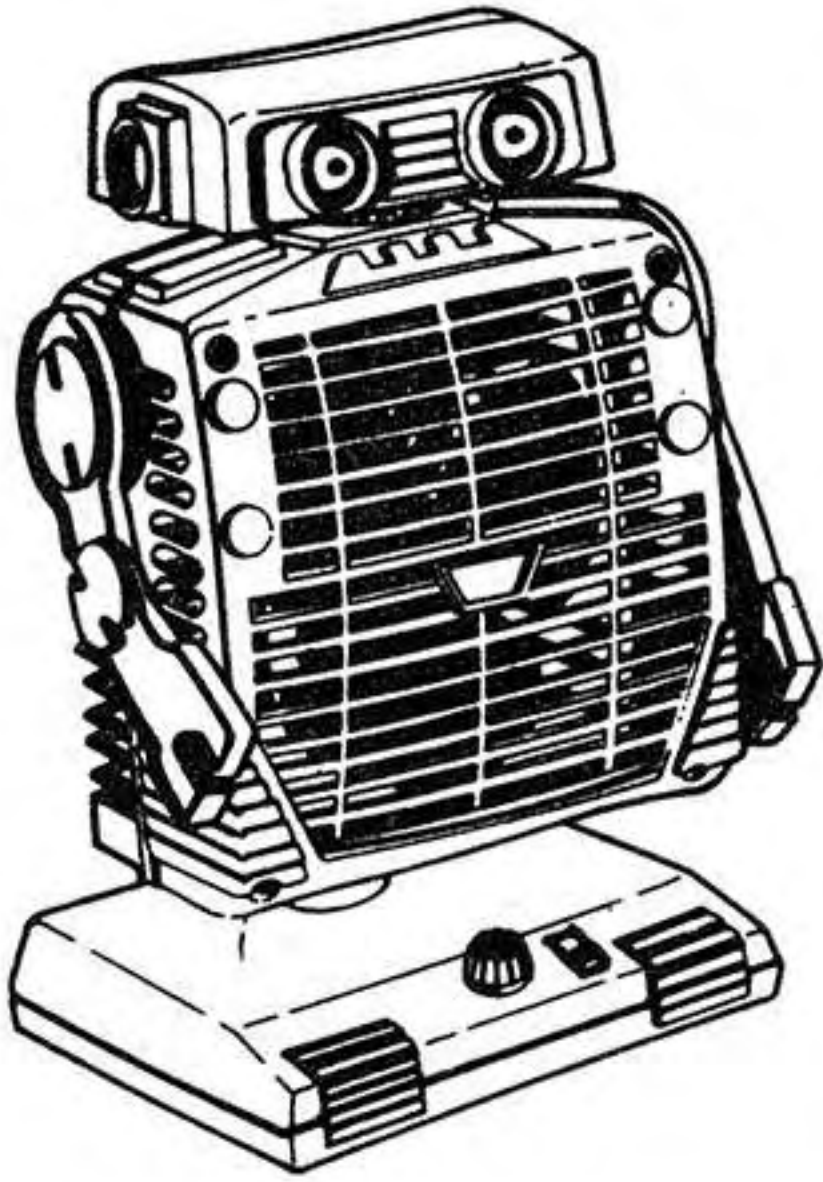
## **THE FAN**

**6" OSCILLATOR FAN** **MODEL 2399**



© 1986 ROBESON INDUSTRIES CORP.

## Features



- Ultra-quiet operation
- Self-lubricating motor
- Fan blade specially designed for high air flow and low noise
- 2 speed rotary control for fan—High & Low
- Arms & head may be moved in many positions
- Easy tilt control
- UL tested and listed
- On/off switch for “eyes”
- Eyes can be used with fan or independently as night light
- Automatically oscillates left to right

---

## Operating Instructions

- **‘EYES’**  
The switch located on fan base controls eyes which can be used with or without fan operating.
- **SPEED CONTROL**  
The rotary control switch located on fan base gives a choice of two fan speeds; LOW and HIGH. To turn fan off, turn switch to OFF.
- **OSCILLATION CONTROL**  
To make fan oscillate over a wide angle, press oscillation control knob down. To stop oscillation and direct air in one direction, pull knob upwards.
- **TILT CONTROL**  
Turn fan off. To alter vertical angle of fan, hold fan grille with one hand and place other hand on fan base. By applying slight pressure, fan grille will move up or down to desired angle.

---

## Care and Maintenance

1. TO REPLACE LIGHT BULBS
  - a. Unplug line cord from outlet.
  - b. Remove two screws at top of head and lift off head cover for access to bulbs.
  - c. Unscrew non working bulb and replace with new bulb # 7C7 or equivalent.
  - d. Reassemble head with screws..

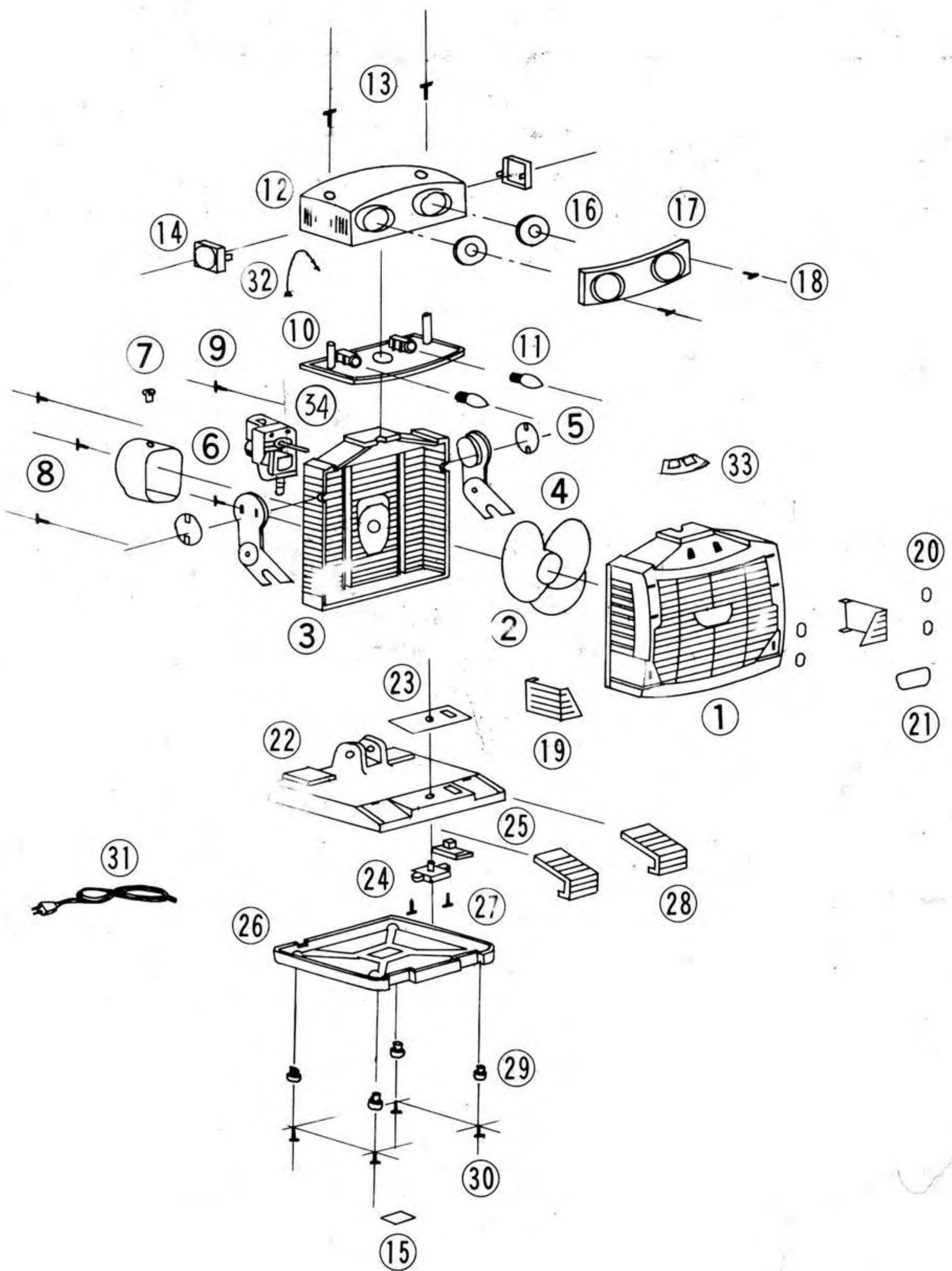
# **IMPORTANT SAFEGUARDS**

- 1. Read all instructions before operating this fan.**
- 2. Avoid contacting moving parts.**
- 3. Close supervision is necessary when fan is used by or near children.**
- 4. Always unplug unit from outlet when not in use and before cleaning. Use 120V outlet only.**
- 5. Never operate fan with a damaged cord or plug, if the motor/fan fails to rotate, or after it has been dropped or damaged in any manner. Return to nearest authorized service facility for examination, repair or adjustment.**
- 6. Do not allow any obstruction when fan is oscillating.**
- 7. Do not let cord hang over edge of table or counter, or touch hot surfaces.**
- 8. Never insert anything into grilles while fan is turning or unit is plugged in.**
- 9. Be sure fan blade is clear of any obstruction before using.**
- 10. Do not place fan near drapes or curtains in any way that they may be pulled into fan or against fan grille. Running a fan under these conditions would cause an overload on fan motor.**
- 11. Do not permit fan to get wet.**
- 12. Place fan on stable surface to avoid tipping.**
- 13. Blow out or vacuum dirt from motor and grilles regularly after unplugging fan.**
- 14. Do not use in a damp location such as bathrooms, windows, or outdoors.**

**READ AND SAVE  
THESE INSTRUCTIONS**

KEY NO	PARTS NO	US	PARTS OR COMPONENT NAME
1			FRONT GUARD
2			FAN BLADE
3			REAR GUARD
4			ARM
5			SHOULDER JOINT
6			REAR COVER
7			PULLING BAR
8			SCREW
9			SCREW
10			NECK & LAMP HOLDER
11			LIGHT
12			HEAD COVER
13			SCREW
14			EAR
15			BOTTOM LABEL
16			EYE BALL
17			EYE COVER
18			SCREW
19			CHEST PROPECTOR
20			CHEST BUTTON
21			BADGE
22			STAND
23			SWITCH PLATE
24			SWITCH
25			LIGHT SWITCH
26			BOTTOM COVER
27			SCREW
28			FOOT SOLE
29			STAND RUBBER
30			SCREW
31			AC CORD & PLUG
32			NYLON BEND
33			BOWTIE
34			MOTOR
35			

# ROBOT FAN



## Care and Maintenance

2. Unplug or disconnect appliance from power supply before servicing.
3. Do not place fan on an uneven, tilted or unstable surface.
4. Use in a dry area free from excessive humidity and water.
5. Keep fan clean. Switch should be off and unit should be unplugged. Wipe away dirt with clean, damp cloth. Wipe dry. Do not use spirits, gasoline, harsh detergents or abrasives.
6. Before storing for several months, clean fan and cover with a vinyl bag. Store in a dry area.
7. This fan is not intended for use with solid-state fan speed control devices.

### Warning:

To reduce the risk of fire or electric shock, do not use this fan with any solid-state speed control device.

## ONE (1) YEAR LIMITED WARRANTY

**Limited Warranty:** Your product is precision built, tested and inspected before leaving our factory. It is warranted to be free from manufacturing defects under normal use and conditions for one (1) year, cord excluded. During that period, should repairs become necessary, return the appliance prepaid to Appliance Service Center, Robeson Park, P.O. Box 518, Castile, N.Y. 14427 with a letter stating the nature of the trouble and a check or money order for three dollars to cover the cost of return postage and handling. We will either repair or replace the appliance. In the event of product replacement, the then current model will be provided. This warranty gives you specific legal rights, and you may also have other rights which vary from state to state. If you use your appliance for household use and according to instructions, it should give you years of satisfactory service.