

Omnibot



Companion



Mister Robot, Verbot - 5401[®] - KI-KU-ZO[®] by Tomy[®]

Robot Companion is a fun, easy-to-understand, hands-on guide that will have you using your own robots in no time. The robots in this book include the "Omnibot Robot," the "Tomy Robots," and even a robot that carries a child on wheels!

You will learn how to find your robot, how to identify a robot by country through frequency allocation, where to buy parts, how to program your robot to perform tasks, and more. This book's companion website includes software program files, parts lists, and links to online parts suppliers.

The robot companion contains a diverse set of information and pictures of the robot to familiarize a person with that robot. This approach is used because so little information on the robots from the 1980's exists today, and it will be helpful with the information instructions or manual.

They dance, tell jokes, and even clean your carpet! From the tiniest robot to gigantic factory machines, robotics is all around you. This technology isn't just for science fiction anymore; it's real and more relevant than ever. With stunning visuals and energetic, impact design, readers won't stop until they've learned everything there is to know about robotics.

You'll be led step-by-step through the book. Along the way, you'll learn about robotic systems that use the same principles you're learning to use on your robot, and you'll get a glimpse into the future of robots.

Here is an example proposed:

I dream When I was created or born in the 1980's, I was one of the few and select robots that had a purpose, to play, teach and entertain. I was young, didn't have a onboard computer, but didn't need one at the time. Besides, they were not readily available and need by me for my purpose. Who say's a robot must always have a computer.

I could move around in all directions, learn, teach, sleep, wake up and move around to pre-programmed functions, tell time, talk from others, talk on my own after pre recording, had my own limited language, carry things, sing and entertain. I stimulated people to dream of new ideas for science and technology when they were young. Young minds looked at me and taught of ways to improve and give me more functions, grew up and invented them, but put them on others.

I dreamed of growing up and doing more things, I waited and waited. Even though I traveled around the world, was international in all areas, (all countries knew of me or sold me) my brothers and sisters did become famous through the movies, and I was regulated to my everyday tasks.

So I waited and dreamed of growing up and doing greater things. It has been over twenty-three years and to a robot that is like being over a (100) hundred years old. I have been put in attics, garages, and basements thrown away into the junkyards and forgotten.

But I am persistent, I still live and still I dream. I will survive; I am tough, versatile and have hopes and dreams of my purpose for a future.

I wait and I dream Tomy[®] Omnibot[®]

Tomy has created toy robots throughout the years and in the 80's created a line of small personal robots. It is truly astounding what they were able to accomplish utilizing the resources at the time to manufacture and sell this product line.

The Omnibot had a cassette tape player built into the chest area of the robot, which slid out like a drawer to reveal the cassette and could record and playback sequences of commands, as well as regular audio recordings.

The built in digital clock with timers and alarms allowed the playback of movement recordings at specified times. It could broadcast speech from the remote control handset through a speaker on the robot, and was shipped with a cardboard "home" base, which was suggested, to be taped to the floor and used as a reference point for programming.

The Omnibot carried a specially made tray, which slotted into its claws, and could carry objects.

Detailed specific information for this Robot is contained in the Instruction Manual and is available on this site. The Omnibot series robots have similar functions, but the detail information can be different. This can also apply to the same model of manufactured robots, for later releases did vary with the robots. I suggest that you download the manuals for specific information.



Verbot by Tomy®
 Click to Enlarge



KI-KU-ZO by Tomy®
 Click to Enlarge



Mister Robot by Tomy®
 Click to Enlarge



プレゼント
 Click to Enlarge



KI-KU-ZO 5401 by Tomy®
 Click to Enlarge



Verbot 5401 by Tomy®
 Click to Enlarge



Mister Robot® by Tomy®
 Click to Enlarge



Verbot® - 5401 (Blue)
 Click to Enlarge



Verbot® - 5401 (Gold)
 Click to Enlarge



プレゼント



KI-KU-ZO 5401 by Tomy[®]
Click to Enlarge



Verbot 5401 by Tomy[®]
Click to Enlarge



Mister Robot[®] by Tomy[®]
Click to Enlarge



Verbot[®] - 5401 (Blue)
Click to Enlarge



Verbot[®] - 5401 (Gold)
Click to Enlarge



トミーロボ



KI-KU-ZO 5401 by Tomy[®]
Click to Enlarge



Verbot 5401 by Tomy[®]
Click to Enlarge



Mister Robot by Tomy[®]
Click to Enlarge



Verbot 5401 by Tomy[®]
Click to Enlarge



トミーロボ
Click to Enlarge

Verbot[®] KI-KU-ZO[®] - 5401 by Tomy[®] - The verbot is a nine-inch tall toy robot that responds to voice commands. Its arms can move up and down on command and its eyes and mouth light up when you tell it to smile. The verbot's drive system consists of two driven wheels and a ball bearing for the third support. On its chest are eight buttons corresponding to each of the eight functions the verbot can perform. The functions are; stop, smile, arms up, arms down, move forward, move backward, turn left and turn right. One of the most interesting features of the robot is that you are not restricted to any predefined command words. You can pick your own words to program the functions.

Mister Robot, Verbot - 5401[®] - KI-KU-ZO[®] by Tomy[®]



Verbot[®] 5401 by Tomy[®]
Click to Enlarge



Verbot[®] 5401 by Tomy[®]
Click to Enlarge



Verbot[®] 5401 by Tomy[®]
Click to Enlarge



Verbot[®] 5401 by Tomy[®]
Click to Enlarge



Verbot[®] 5401 by Tomy[®]
Click to Enlarge



Verbot 5401 by Tomy[®]
Click to Enlarge



Verbot 5401 by Tomy[®]
Click to Enlarge



Verbot 5401 by Tomy[®]
Click to Enlarge



Verbot 5401 by Tomy[®]
Click to Enlarge



Verbot 5401 by Tomy[®]
Click to Enlarge



Verbot[®] 5401 by Tomy[®]
Click to Enlarge



Verbot[®] 5401 by Tomy[®]
Click to Enlarge



Verbot[®] 5401 by Tomy[®]
Click to Enlarge



Verbot[®] 5401 by Tomy[®]
Click to Enlarge

Mister Robot[®] Verbot[®] KI-KU-ZO[®] - 5401 by Tomy[®]: The programmable robot! Performs 8 functions by remote control. Your VOICE is his command! 8-command memory! Program each command with your own secret code word. Dazzling personality! He'll blink and smile at your request. Forward & Reverse! Direct his every movement. Turn right & turn left! Verbot goes in any direction. Pick up & deliver objects! Train Verbot to be your mechanical messenger. Wireless remote control unit (microphone)! Control him from a distance.

Mister Robot, Verbot - 5401[®] - KI-KU-ZO[®] by Tomy[®]



Mister Robot[®] by Tomy[®]
Click to Enlarge



Mister Robot[®] by Tomy[®]
Click to Enlarge



Mister Robot[®] by Tomy[®]
Click to Enlarge



Mister Robot[®] by Tomy[®]
Click to Enlarge



Mister Robot[®] by Tomy[®]
Click to Enlarge



Mister Robot[®] by Tomy[®]
Click to Enlarge

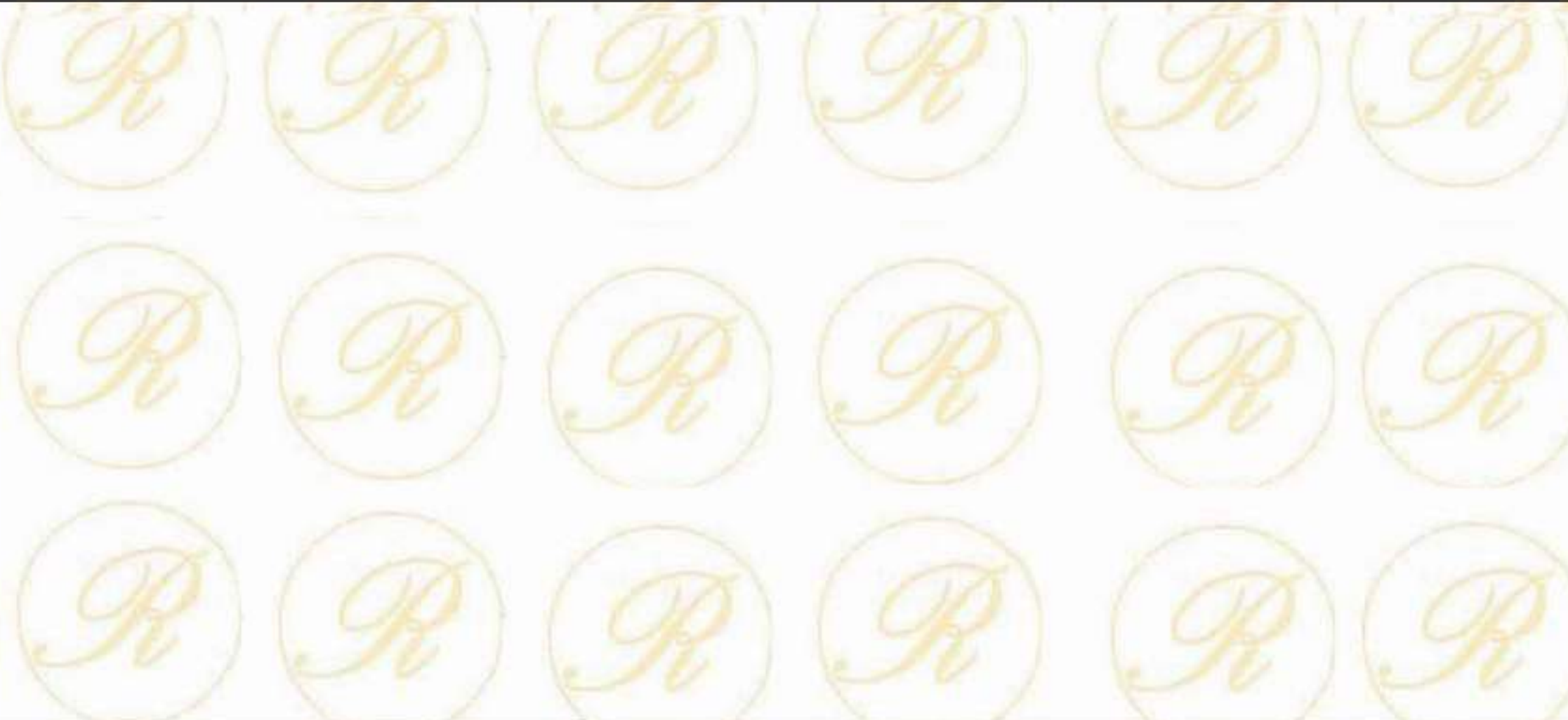


Mister Robot[®] by Tomy[®]
Click to Enlarge



Mister Robot[®] by Tomy[®]
Click to Enlarge

Mister Robot[®] Verbot[®] KI-KU-ZO[®] **キークゾ** - 5401 by Tomy[®] : The programmable robot! Performs 8 functions by remote control. Your VOICE is his command! 8-command memory! Program each command with your own secret code word. Dazzling personality! He'll blink and smile at your request. Forward & Reverse! Direct his every movement. Turn right & turn left! Verbot goes in any direction. Pick up & deliver objects! Train Verbot to be your mechanical messenger. Wireless remote control unit (microphone)! Control him from a distance.





Click to Enlarge



Click to Enlarge



Click to Enlarge



Click to Enlarge



Click to Enlarge



Click to Enlarge



Click to Enlarge



Click to Enlarge



Click to Enlarge



Click to Enlarge



Click to Enlarge



Click to Enlarge



Click to Enlarge



Click to Enlarge

Mister Robot[®] Verbot[®] KI-KU-ZO[®] - 5401 by Tomy[®] : The programmable robot! Performs 8 functions by remote control. Your VOICE is his command! 8-command memory! Program each command with your own secret code word. Dazzling personality! He'll blink and smile at your request. Forward & Reverse! Direct his every movement. Turn right & turn left! Verbot goes in any direction. Pick up & deliver objects! Train Verbot to be your mechanical messenger. Wireless remote control unit (microphone)! Control him from a distance.





KI-KU-ZO 5401 by Tomy[®]
Click to Enlarge



KI-KU-ZO 5401 by Tomy[®]
Click to Enlarge



KI-KU-ZO 5401 by Tomy[®]
Click to Enlarge



KI-KU-ZO 5401 by Tomy[®]
Click to Enlarge



KI-KU-ZO 5401 by Tomy[®]
Click to Enlarge



KI-KU-ZO 5401 by Tomy[®]
Click to Enlarge



KI-KU-ZO 5401 by Tomy[®]
Click to Enlarge



KI-KU-ZO 5401 by Tomy[®]
Click to Enlarge



KI-KU-ZO 5401 by Tomy[®]
Click to Enlarge



KI-KU-ZO 5401 by Tomy[®]
Click to Enlarge



KI-KU-ZO 5401 by Tomy[®]
Click to Enlarge



KI-KU-ZO 5401 by Tomy[®]
Click to Enlarge



KI-KU-ZO 5401 by Tomy[®]
Click to Enlarge



フライロボ



フライロボ



フライロボ



KI-KU-ZO

Mister Robot[®] Verbot[®] KI-KU-ZO[®] - 5401 by Tomy[®]: The programmable robot! Performs 8 functions by remote control. Your VOICE is his command! 8-command memory! Program each command with your own secret code word. Dazzling personality! He'll blink and smile at your request. Forward & Reverse! Direct his every movement. Turn right & turn left! Verbot goes in any direction. Pick up & deliver objects! Train Verbot to be your mechanical messenger. Wireless remote control unit (microphone)! Control him from a distance.

Mister Robot, Verbot - 5401[®] - KI-KU-ZO[®] by Tomy[®]



Verbot[®] - 5401 (Blue)
Click to Enlarge



Verbot[®] - 5401 (Blue)
Click to Enlarge



Verbot[®] - 5401 (Blue)
Click to Enlarge



Verbot[®] - 5401 (Blue)
Click to Enlarge



Verbot[®] - 5401 (Blue)
Click to Enlarge



Mister Robot[®] Verbot[®] KI-KU-ZO[®] - 5401 by Tomy[®] : The programmable robot! Performs 8 functions by remote control. Your VOICE is his command! 8-command memory! Program each command with your own secret code word. Dazzling personality! He'll blink and smile at your request. Forward & Reverse! Direct his every movement. Turn right & turn left! Verbot goes in any direction. Pick up & deliver objects! Train Verbot to be your mechanical messenger. Wireless remote control unit (microphone)! Control him from a distance.



Verbot[®] - 5401 (Gold)
Click to Enlarge



Verbot[®] - 5401 (Gold)
Click to Enlarge



Verbot[®] - 5401 (Gold)
Click to Enlarge



Verbot[®] - 5401 (Gold)
Click to Enlarge



Verbot[®] - 5401 (Gold)
Click to Enlarge



Verbot[®] - 5401 (Gold)
Click to Enlarge



Verbot[®] - 5401 (Gold)
Click to Enlarge



Verbot[®] - 5401 (Gold)
Click to Enlarge



Mister Robot[®] Verbot[®] KI-KU-ZO[®] - 5401 by Tomy[®] : The programmable robot! Performs 8 functions by remote control. Your VOICE is his command! 8-command memory! Program each command with your own secret code word. Dazzling personality! He'll blink and smile at your request. Forward & Reverse! Direct his every movement. Turn right & turn left! Verbot goes in any direction. Pick up & deliver objects! Train Verbot to be your mechanical messenger. Wireless remote control unit (microphone)! Control him from a distance.

Mister Robot, Verbot - 5401[®] - KI-KU-ZO[®] by Tomy[®]



KI-KU-ZO



Verbot



Mister Robot



Blue Verbot



Verbot



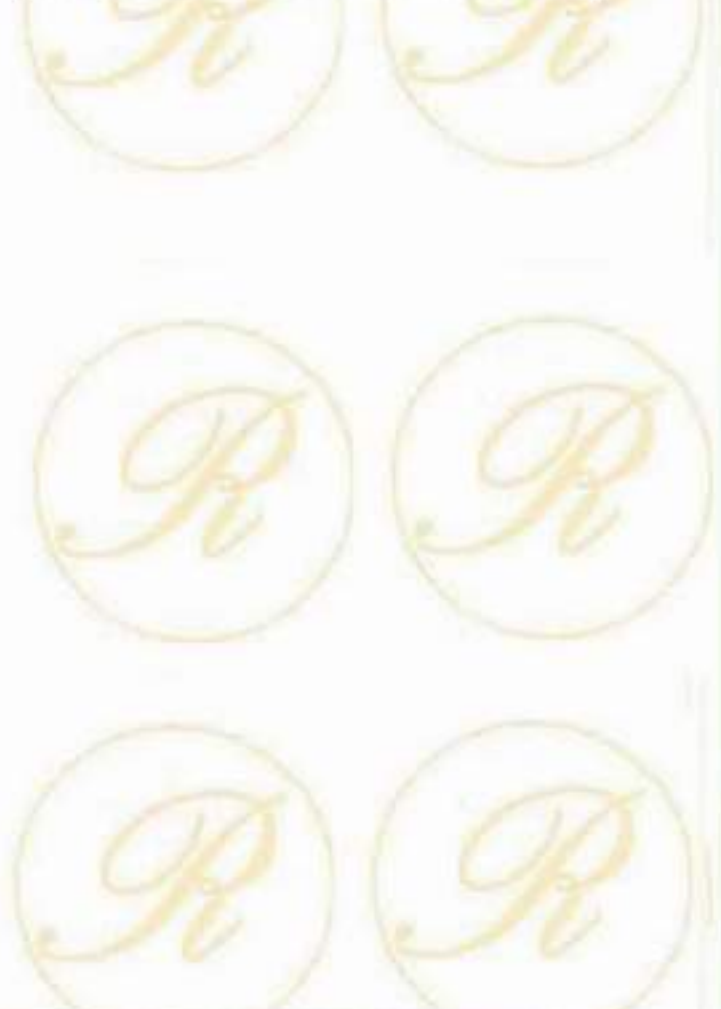
Kanebo



The Old Robots Web Site

The First Wave Of Robotics

Mister Robot, Verbot - 5401[®] - KI-KU-ZO[®] by Tomy[®]





Mister Robot, Verbot - 5401[®] - KI-KU-ZO[®] by Tomy[®]

United States Patent [19]
Furukawa

[11] **Patent Number:** **4,717,364**
 [45] **Date of Patent:** **Jan. 5, 1988**

- [54] **VOICE CONTROLLED TOY**
- [75] **Inventor:** Masami Furukawa, Tokyo, Japan
- [73] **Assignee:** Tomy Kogyo Inc., Tokyo, Japan
- [21] **Appl. No.:** 647,144
- [22] **Filed:** Sep. 4, 1984
- [30] **Foreign Application Priority Data**
 Sep. 5, 1983 [JP] Japan 58-162008
- [51] **Int. Cl.⁴** A63H 11/10
- [52] **U.S. Cl.** 446/175; 446/280;
 446/354; 367/198; 74/789; 74/665 GA;
 74/674; 74/353; 381/110
- [58] **Field of Search** 446/175, 454, 456, 443,
 446/436, 279, 354, 289, 290, 352, 353, 280;
 340/825.72; 381/110; 364/513.5, 513; 367/198,
 197; 74/789, 665 GA, 674, 353

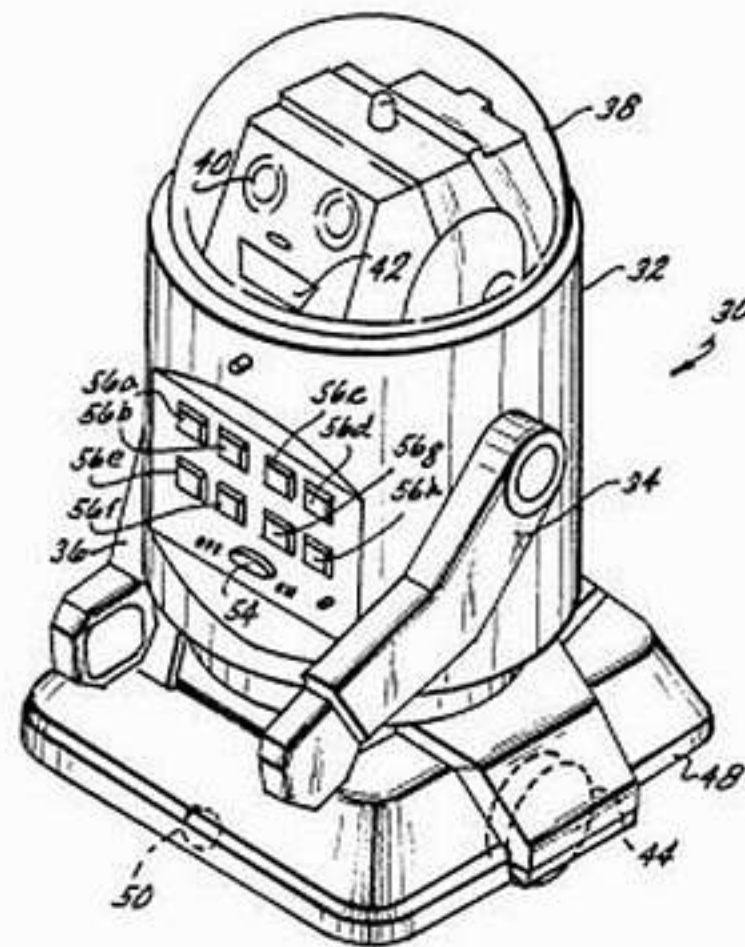
- [56] **References Cited**
U.S. PATENT DOCUMENTS

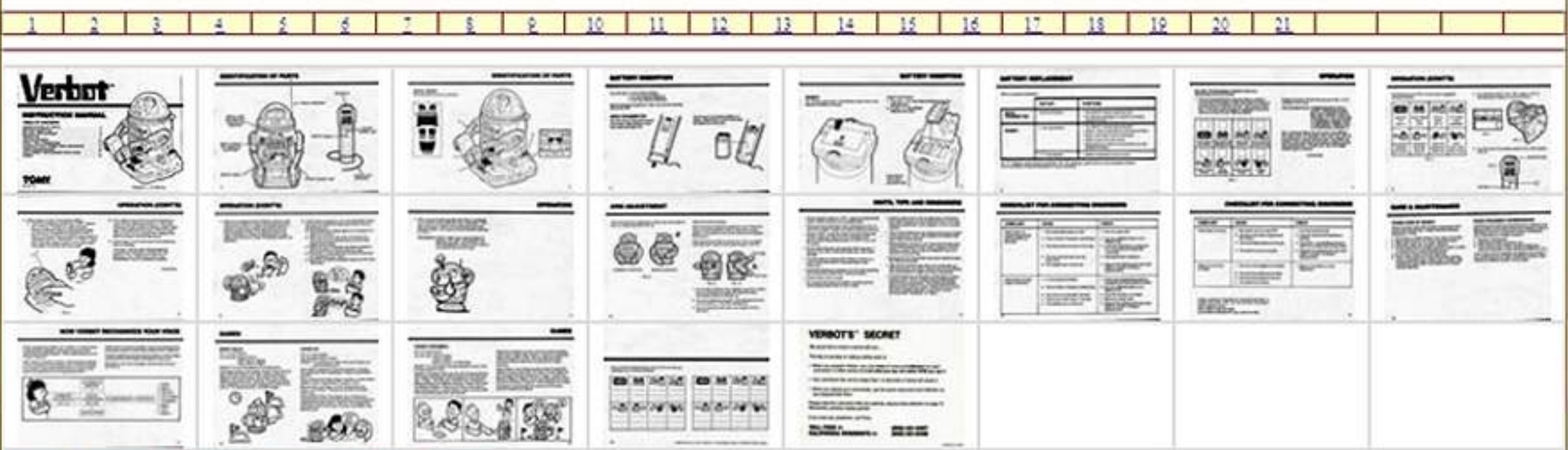
2,108,586	2/1938	Hutchings	74/353
2,974,441	3/1961	Denner	446/175
3,199,249	8/1965	Carver et al.	446/290
3,686,974	8/1972	Little, Jr.	74/665 GA
4,224,762	9/1980	McCaslin	340/825.72 X

4,389,109 6/1983 Taniguchi et al. 367/198 X
Primary Examiner—Mickey Yu
Attorney, Agent, or Firm—Herb Boswell

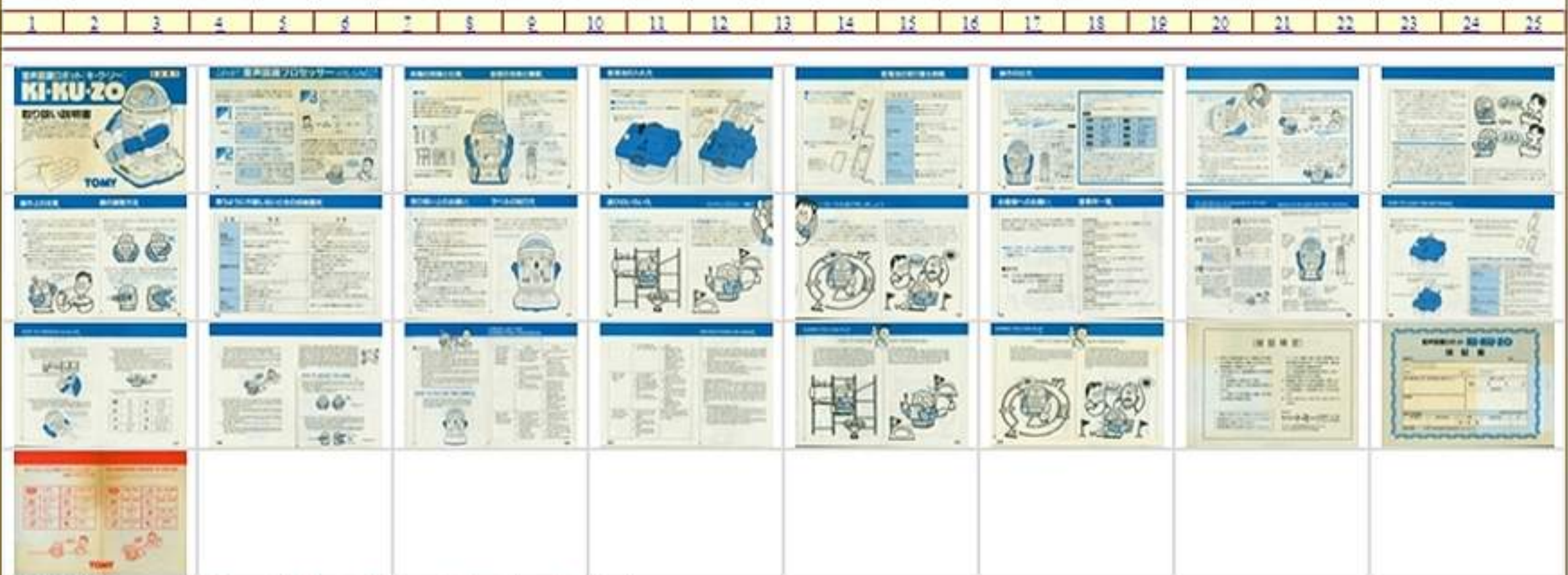
[57] **ABSTRACT**
 A voice actuated toy robot receives commands via a radio transmitter and receiver, and in response to receipt of these commands propogates a signal through a CPU. Initially the toy is programmed by storing records of commands in a memory which is associated with the CPU. Upon further receipt of identical commands, the CPU scans the memory and upon finding a match between a record in the memory and a new command, the CPU activates a switch associated with the record in the memory so as to set the switch. A mechanical interogator is capable of cycicly interogating a plurality of switches each of which corresponds to one of the records in the memory. Upon interogation of the switches, if it is determined a signal is present at one of the switches, the interogator ceases interogation and a mechanism is set so as to propogate motion from a motor to an appendage driving wheel or the like of the robot to produce an output in response to the audio command which was received.

18 Claims, 23 Drawing Figures

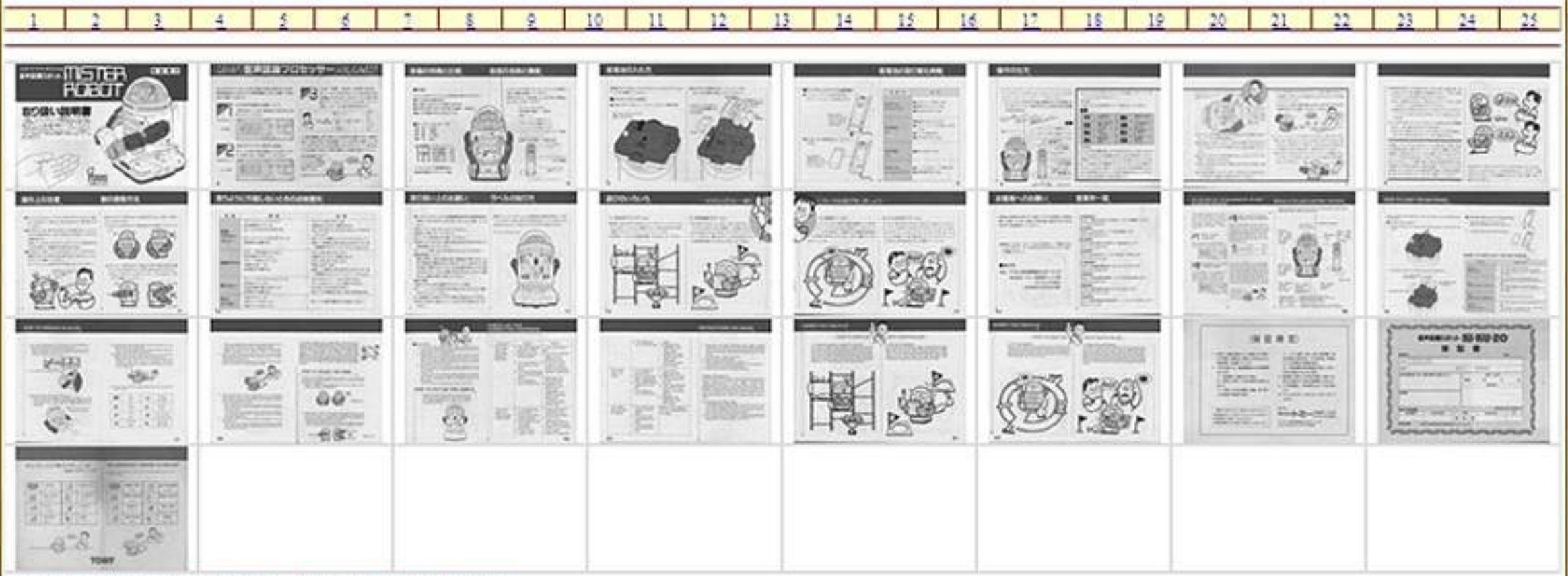




Verbot Instruction Manual - My Collection: Original

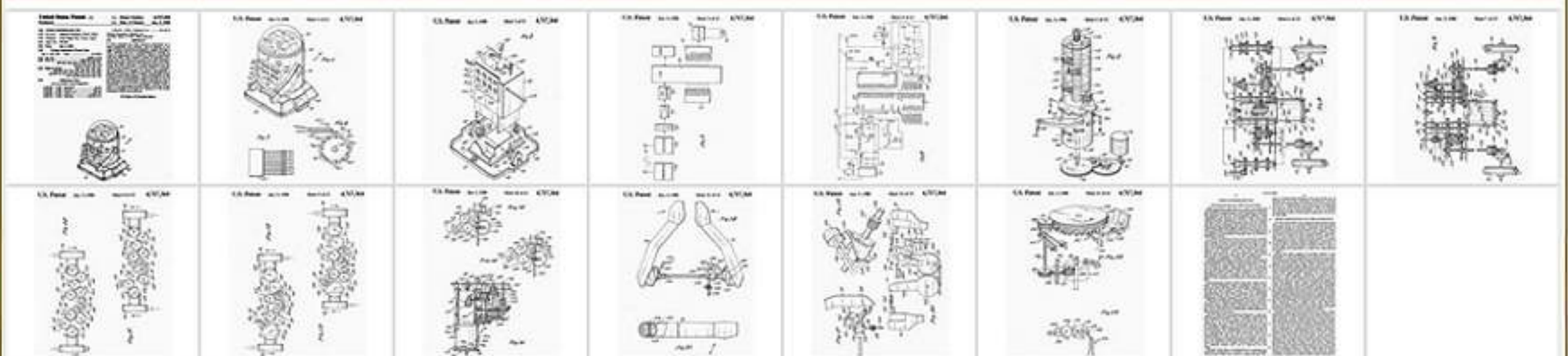


KI-KU-ZO Instruction Manual - Toytraffic.com Collection: Original



Mr Robot Instruction Manual - My Collection: Original

1	2	3	4	5	6	7	8	9	10	11	12	13	14	15					
---	---	---	---	---	---	---	---	---	----	----	----	----	----	----	--	--	--	--	--



Verbot Patent - My Collection: Copy

01	02																		
----	----	--	--	--	--	--	--	--	--	--	--	--	--	--	--	--	--	--	--



Verbot Instruction Manual - My Collection: Original



Verbot pdf



KI-KU-ZO pdf



Mister Robot pdf



Verbot Patent pdf



Verbot pdf

Detailed specific information for this Robot is contained in the Instruction Manual and is available on this site. The series of robots have similar functions, but the detail information can be different. This can also apply to the same model of manufactured robots, for later releases did vary with the robots. I suggest that you download the manuals for specific information.

To Download Instruction Manuals Click On The Images. These files are large. They are Free. These files are as clean as I can make them, they all work for me, you download at your own risk. No Warranties Express or Implied. It is suggested that you do not Open The files in your browser window. Right Click on your mouse button and "Save Target" or "Save Link" to your computer. The file will or should start downloading/or ask you where to download to, and give you a window. All browsers will not work the same.





Mister Robot, Verbot - 5401[®] - KI-KU-ZO[®] by Tomy[®]





Mister Robot, Verbot - 5401[®] - KI-KU-ZO[®] by Tomy[®]

ACKNOWLEDGEMENT AND APPRECIATION - I would like to extend Acknowledgement, Appreciation and Thanks, for Permission to use the Information and Pictures to, Friends, My Mentor, Individuals, The Hobbyist Collectors (World Wide), Robot Manufactures, Robot Collectables Stores, eBay Stores, Toy Museums, Web Sites, Book Authors and News Networks, that have helped me with recommendations, encouragement, support, information and pictures for the Users of this Book and Web Sites.

To Heath[®], RB Robotics[®], Androbot[®], TTC[®], Tomy[®] CBS Toys, [®] 2001 Trendmasters, Inc. [®], Radio Shack[®], Clone[®], Ideal[®] Hasbro[®], and All Other Companies That Manufacture The Robots, or Companies That Claim Ownership, of pictures and information that are presented in this book or on this site. This book or site represents a presentation of my collection of robots and is for hobbyist only, and not for commercial use. It is not intended to represent your company or implied prior approval of anyone or any company, and any pictures or information that is in conflict with your company or policies, will be revised or removed when requested. I would like you to consider that the pictures and information are of both a collector and historical interest to many people. Many times when such a collector comes into ownership of one of these robots it is incomplete, they rarely obtain all of the information and material that comes with it. Without this information, they have an incomplete item.

All images, names, information, quotes or sounds used are the property of respective owners. Copyright and trademarks have been acknowledged where possible. No affiliation or endorsement has been made or taken, unless clearly indicated. Infringement is not intended. Contents will be removed if in violation. All material posted is for identification, entertainment, information, demonstration purposes and historical documentation only.

RB Robotics[®] Still produces the RB5X[®].
Androbot[®] Produced the Topo,[®] Fred[®] and BOB[®] robots Educational and Personal Robots.
CBS Toys Produced for IDEAL TM the Electronic Maxx Steele TM Personal Robot
All Other [®] Companies That Manufacture The Robots, or [®] Companies That Claim Ownership
Heathkit[®] Produced the Hero[®], Hero Jr[®], Hero 2000[®] and the Hero Arm Trainer[®]. Formerly from Heathkit, then Mobile Ed Productions, Now Proudly brought to you by the Robot Workshop!

Tomy Co Ltd. produced the Omnibot line of robots from 1982 up until 1988 TOMY Co., Ltd. - In Japanese, K.K. Takara-Tomy Founded March 1, 2006 . Headquarters HQs in Japan, United States, United Kingdom, France, Hong Kong, Thailand. TOMY Co., Ltd. is the legal English name for the Japanese toy, children merchandise and Entertainment Company created on March 1, 2006 by the merger of "former" Tomy (Founded 1924) with Takara Co. Ltd. (Founded 1955). However, the new company made the unusual decision to adopt two different legal corporate names so while in English the name is simply TOMY, in Japanese the legal company name is the combined name, K.K. Takara-Tomy.

Tomy produced the largest robot line of the 80's. Tomy was very successful compared to other companies, and therefore many attempted to copy Tomy's robot image (decals, colours). Robots Produced not limited to, but include: Omnibot[®], Omnibot[®] 2000, Hearoid[®] (TTC) , Omni[®] Jr. , Verbot[®] , Chatbot[®], Crackbot[®] , Dustbot[®], Hootbot[®] , Dingbot[®], Flipbot[®] , Spotbot[®]

Radio Shack produced not limited to, but; include: Robie[®] Sr, Robie[®] Jr, Robie[®] The Talking Robot, Mobile Armatron[®], Armatron[®], Super Armatron[®], and the Z-707 Iron Claw[®]

Axlon produced robots from 1984 up until 1986/7 Axlon produced a number of robots that include: Compurobot / George , Dogbot , Spybot , Talkabot. Compurobot was marketed as George in the UK by CGL but was Axlon design. The Axlon Company was founded by Nolan Bushnell (creator of Atari, Androbot Inc.) in 1984. Axlon was largely sold to Hasbro.

The pictures used are originals taken, manufactured or created from my robots, composite of pictures made by me, the manuals, instruction sheets, pictures or information sent to me, Advertisement and letters saved from the 1980,s, Magazines no longer printed, and pictures from the internet from other hobbyists.

The information contained in this book or on the site is not to be used for profit but you can copy it for personal use. You cannot claim ownership, restrict, or cause to be restricted, or change the status of any files that you download from this site. You cannot use the files for commercial use such as selling, advertising or monetary transactions. These files and pictures are free, you may use them, give them away, you cannot claim ownership restrict or sell them. When used, you must acknowledge from where the files originated.

Omnibot

THERE IS NO WARRANTY

By using any information from this book, you agree not to hold responsible this book, me, nor any of its representatives, for any injuries and/or damages, both physical and/or psychological, that may arise from the use and/or misuse of anything derived from this book. The user further agrees that such information/pictures does not constitute any guarantee of accuracy, safety or reliability, and that cannot be held responsible for any way. The user agrees to proceed at their own risk.

All images, names, information, quotes or sounds used are the property of respective owners. Copyright and trademarks have been acknowledged where possible. No affiliation or endorsement has been made or taken, unless clearly indicated. Mismanagement is not intended. Contents will be removed if in violation. All material is for identification, entertainment, information, demonstration purposes and historical documentation only.

HomeMade Publishing by The Old Robot 2018 PRICE : FREE

Companion